

## Parabolic antenna JRMD - 680 -10/11

---

Antenna JRMD – 680 – 10/11 is designed for microwave links at the frequency band 10 and 11 GHz. The new generation is coming in a deep reflector dish design with a massive holder.

### Electrical parameters:

<b>Frequency range</b>	10.0 – 12.0 GHz
<b>Gain</b> – Low frequency	33.6 ± 1 dBi
<b>Gain</b> – High frequency	35.5 ± 1 dBi
<b>Front to back ratio</b>	≥ 55.5 dB
<b>Beamwidth</b> <sub>-3 dB</sub>	3° ± 0.5°
<b>Return loss</b>	≥ 18 dB <sub>/10.3 – 11.7 GHz</sub>
<b>Polarization</b>	Linear, vertical/horizontal
<b>Electrical Compliance</b>	US FCC Part 101A   10.550 – 10.680 GHz US FCC Part 101B   10.7 – 11.7 GHz <b>Class 2</b> ETSI EN 302-217-4-2

### Mechanical parameters:

<b>Parabola</b>	∅ 68 cm, Aluminium alloy
<b>Radome</b>	UV steady plastic ABS
<b>Input/output</b>	Circle waveguide ∅ 19 mm
<b>Installation on mast</b>	∅ 40 - 120 mm
<b>Operating wind load</b>	180 km/h (112 mph)
<b>Survival wind load</b>	240 km/h (149 mph)
<b>Weight of antenna</b>	5.1 kg (11.2 lbs.)
<b>of holder</b>	3.2 kg (7.0 lbs.)
<b>Shipping dimension</b>	800 x 800 x 350 mm/ 12.3 kg (27.1 lbs.)

## Parabolic antenna JRMD - 680 -10/11

---

### Usage:

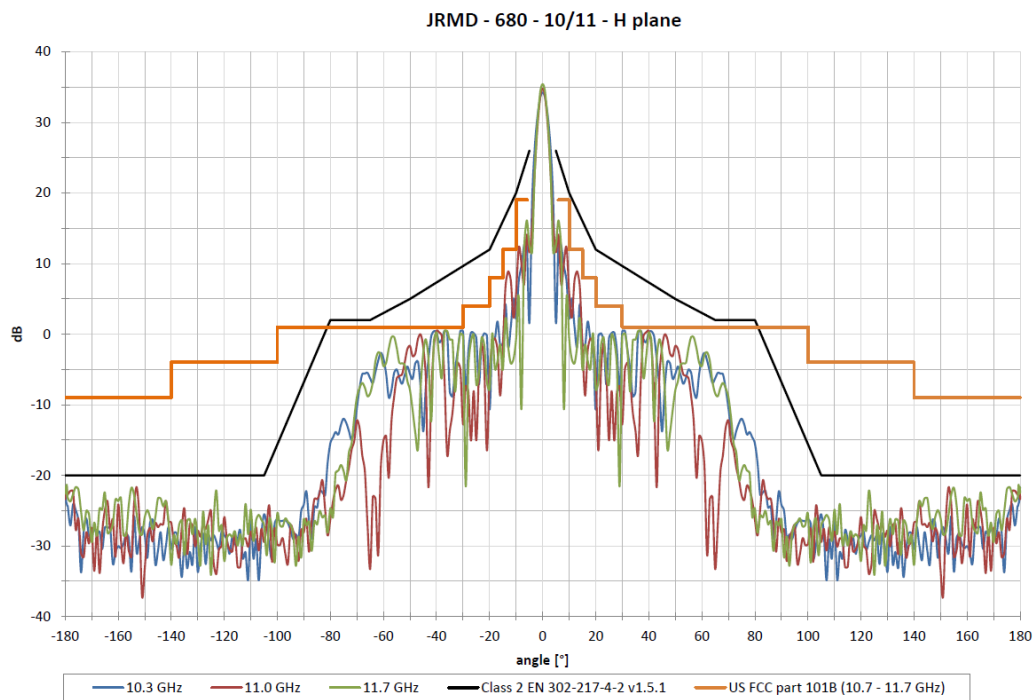
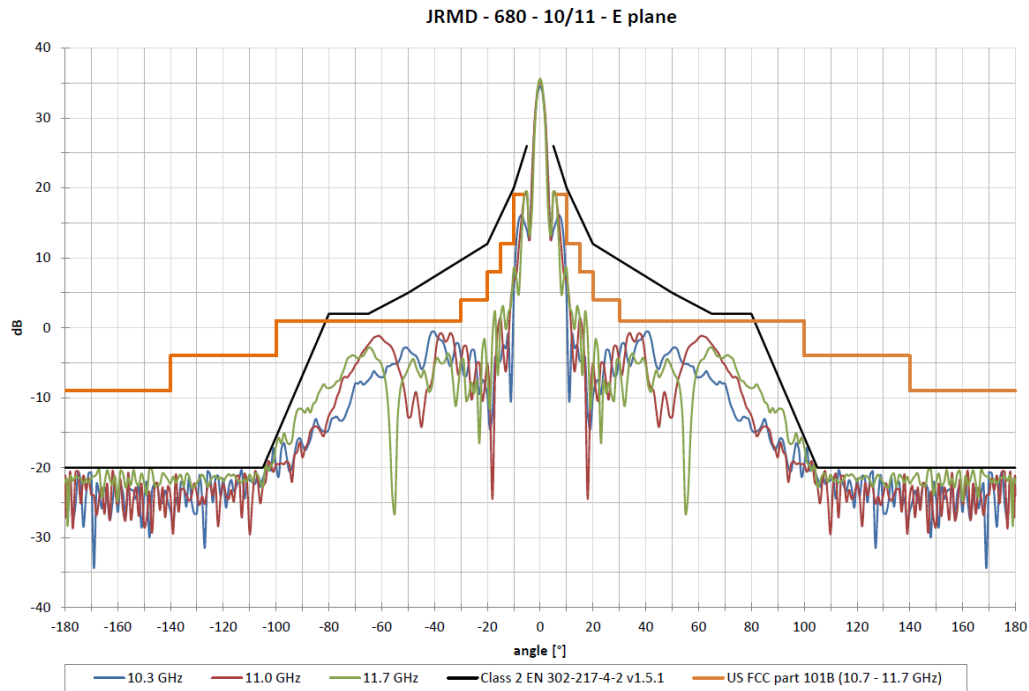
- deep parabola for better parameters
- **easy to assembly:** first the holder and then the antenna only by 2 screws
- **fine setting** elevation (of gradient) and azimuth  $\pm 20^\circ$
- extreme wind stability

The antenna is supplied with a holder that allows easy mounting on a mast. The holder can be installed separately on the mast. Subsequently, you can simply hang up the antenna with microwave unit into it. The holder allows precise adjustment in both directions. Ready for right and left side mounting.

In the areas with the expected occurrence of the strong winds mounting on the mast with minimal  $\varnothing$  50 mm is recommended.

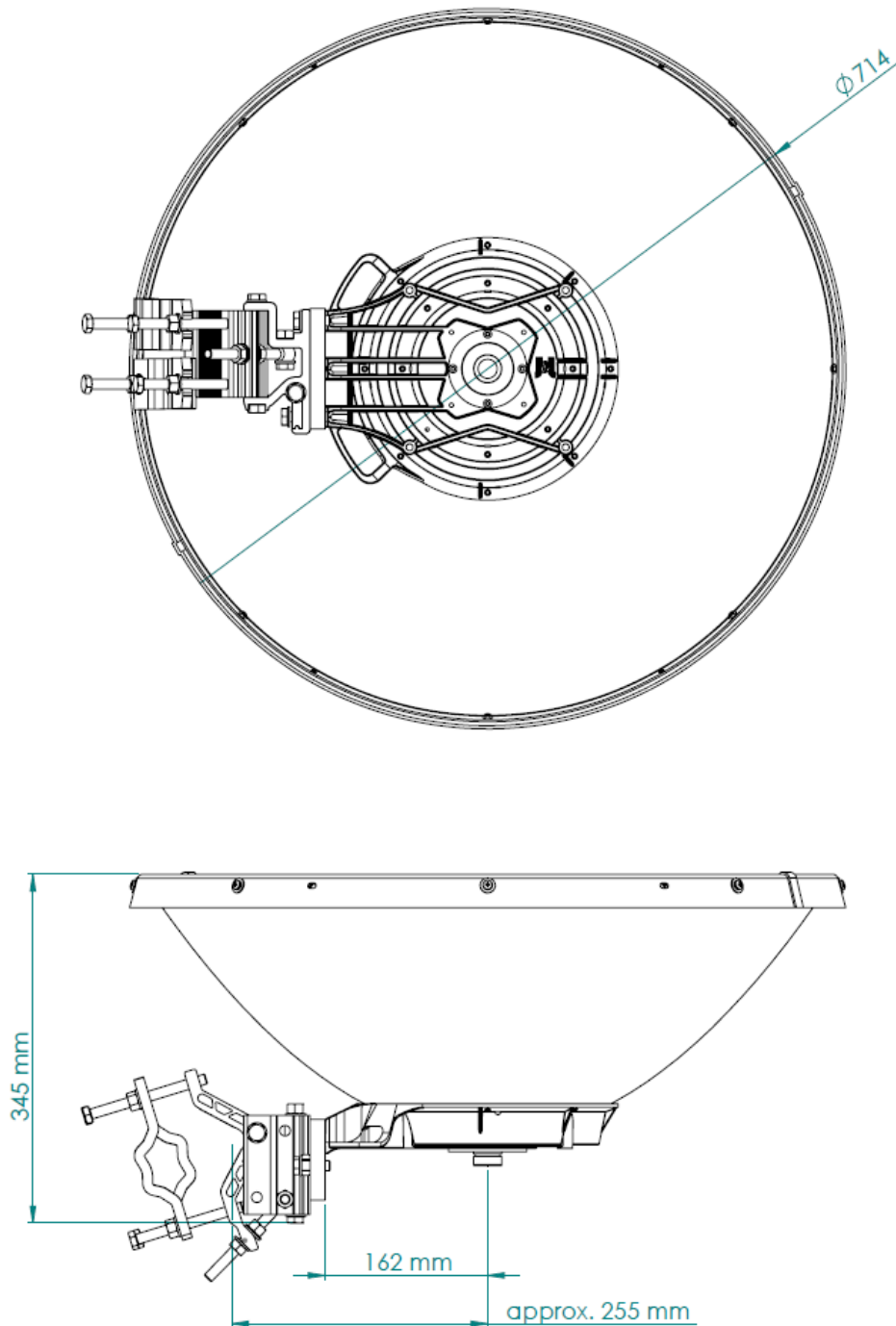
# Parabolic antenna JRMD - 680 -10/11

## Measurement of radiation pattern:



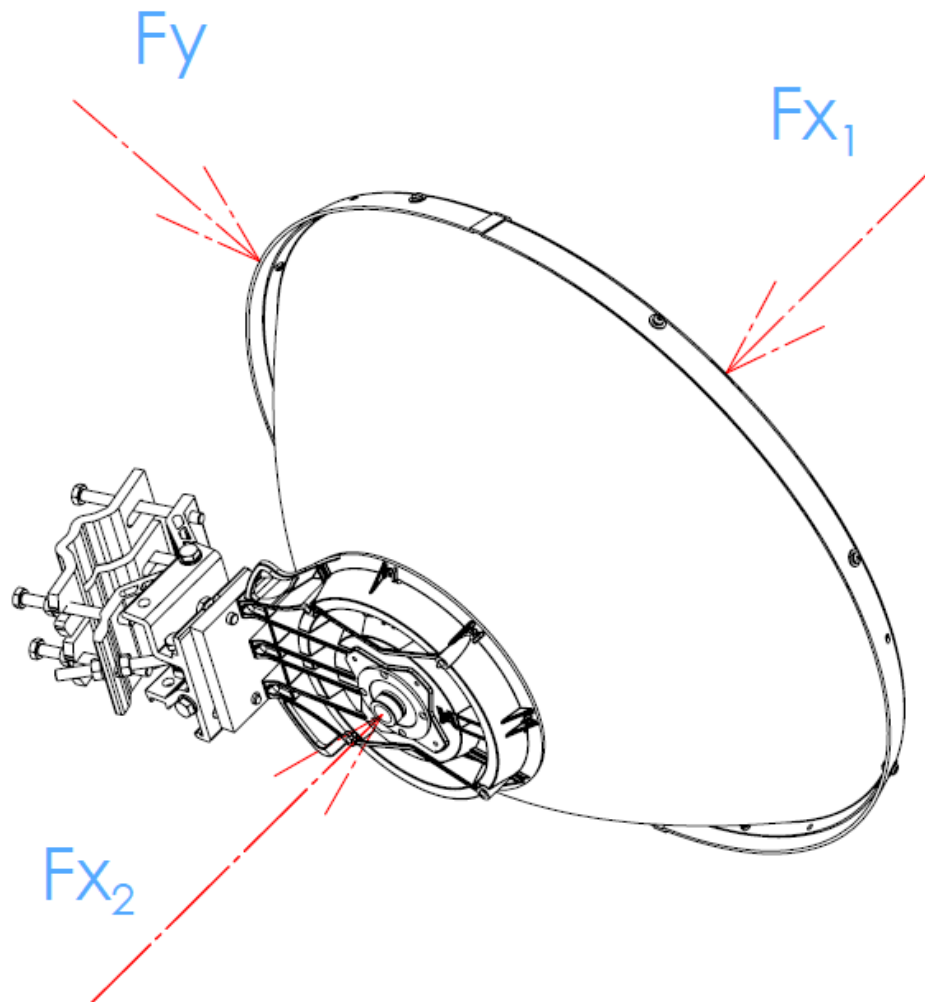
# Parabolic antenna JRMD - 680 -10/11

## Outline:



## Parabolic antenna JRMD - 680 -10/11

### Wind loading:



### Wind Loading at 200 km/h [125 mph]

Direction	Force [N]	Force [lbf]
$F_{x_1}$	707	158,9
$F_{x_2}$	792	178
$F_y$	71	15,9